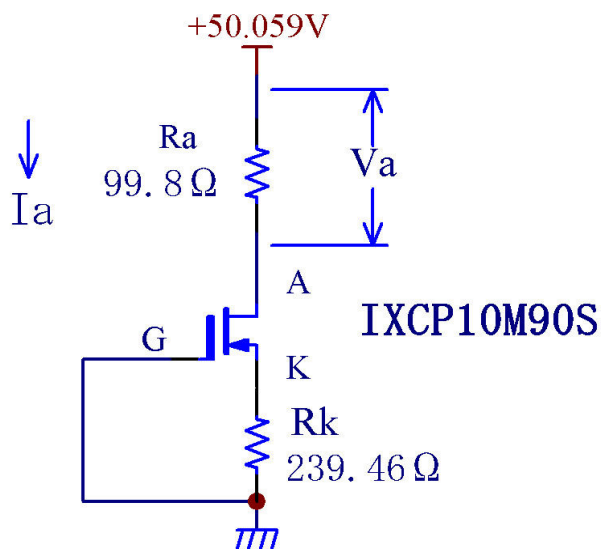


IXCP10M90S 実測データ

2019/3/14

| No. | Va(v) | Ia(mA) |
|-----|--------|--------|
| 1 | 1.2161 | 12.185 |
| 2 | 1.2216 | 12.240 |
| | | |
| 3 | 1.2372 | 12.397 |
| 4 | 1.2398 | 12.423 |
| | | |
| 5 | 1.2411 | 12.436 |
| 6 | 1.2479 | 12.504 |
| | | |
| 7 | 1.2530 | 12.555 |
| 8 | 1.2648 | 12.673 |
| | | |
| 9 | 1.2749 | 12.775 |
| 10 | 1.2804 | 12.830 |
| | | |
| 11 | 1.2836 | 12.862 |
| 12 | 1.2851 | 12.877 |
| | | |
| 13 | 1.2902 | 12.928 |
| 14 | 1.2908 | 12.934 |
| | | |
| 15 | 1.2918 | 12.944 |
| 16 | 1.3059 | 13.085 |
| | | |
| 17 | 1.3117 | 13.143 |
| 18 | 1.3173 | 13.199 |
| | | |
| 19 | 1.3211 | 13.237 |
| 20 | 1.3281 | 13.308 |
| | | |
| 21 | 1.3358 | 13.385 |
| 22 | 1.3394 | 13.421 |
| | | |
| 23 | 1.3395 | 13.422 |
| 24 | 1.3941 | 13.969 |



測定器

デジタルマルチメータ:三和 PC7000